

APG005N03D7

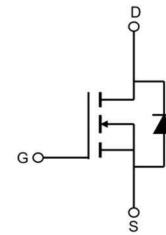
N-Channel Enhancement Mosfet

Features

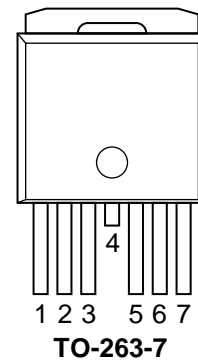
- 30V,300A
 $R_{DS(ON)} < 0.48m\Omega @ V_{GS}=10V$ TYP:0.4m Ω
 $R_{DS(ON)} < 1.1m\Omega @ V_{GS}=4.5V$ TYP:0.84m Ω
- Surface-mounted package
- Advanced trench cell design

Applications

- High power inverter system
- LCD TV appliances
- LCDM appliances



Schematic Diagram



Package Marking and Ordering Information

Device Marking	Device	Device Package	Reel Size	Tape width	Quantity (PCS)
G005N03D7	APG005N03D7	TO-263-7	-	-	800

ABSOLUTE MAXIMUM RATINGS ($T_J=25^{\circ}C$ unless otherwise noted)

Parameter	Symbol	Value	Unit
Drain-Source Voltage	V_{DS}	30	V
Gate-Source Voltage	V_{GS}	± 20	V
Continuous Drain Current ($T_c=25^{\circ}C$) ^(1,3)	I_D	300	A
Continuous Drain Current ($T_c=100^{\circ}C$) ^(1,3)	I_D	150	A
Pulsed Drain Current ^(1,2,3)	I_{DM}	1200	A
Single Pulsed Avalanche Energy ($T_c=25^{\circ}C, L=1.0mH$) ⁽¹⁾	E_{AS}	1653	mJ
Drain Power Dissipation	P_D	250	W
Thermal Resistance from Junction to Case ⁽¹⁾	$R_{\theta JC}$	0.6	$^{\circ}C/W$
Thermal Resistance- Junction to Ambient ⁽¹⁾	$R_{\theta JA}$	40	$^{\circ}C/W$
Junction Temperature	T_J	175	$^{\circ}C$
Storage Temperature	T_{STG}	-55~ +175	$^{\circ}C$

Notes:

- 1.Surface Mounted on 1 in² pad area, $t \leq 10$ sec
2. Pulse width $\leq 300\mu s$, duty cycle $\leq 2\%$
3. Limited by bonding wire

MOSFET ELECTRICAL CHARACTERISTICS(T_J=25°C unless otherwise noted)

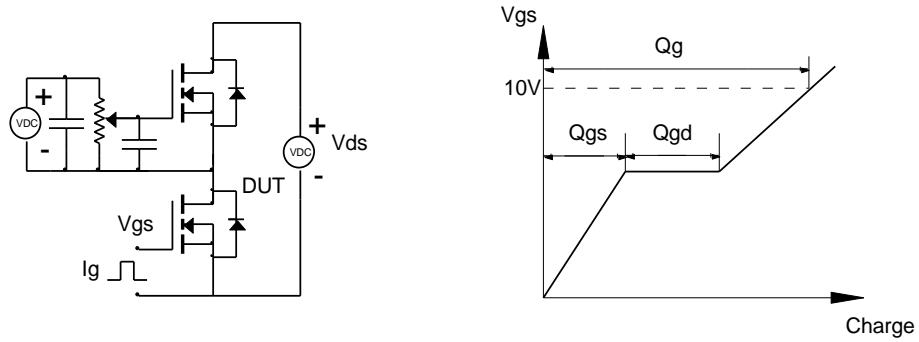
Parameter	Symbol	Test Condition	Min	Type	Max	Unit
Static Characteristics						
Drain-source breakdown voltage	V _{(BR)DSS}	V _{GS} = 0V, I _D =250μA	30	-	-	V
Zero gate voltage drain current	I _{DSS}	V _{DS} =24V, V _{GS} = 0V	-	-	1	μA
Gate-body leakage current	I _{GSS}	V _{GS} = ±20V, V _{DS} = 0V	-	-	±100	nA
Gate threshold voltage	V _{GS(th)}	V _{DS} =V _{GS} , I _D =250μA	1.0	-	2.0	V
Drain-source on-resistance ^(a)	R _{DS(on)}	V _{GS} =10V, I _D =50A	-	0.4	0.48	mΩ
		V _{GS} =4.5V, I _D =30A	-	0.84	1.1	mΩ
Dynamic characteristics^(b)						
Input Capacitance	C _{iss}	V _{DS} =15V, V _{GS} =0V, f =1.0MHz	-	11263	-	pF
Output Capacitance	C _{oss}		-	1317	-	
Reverse Transfer Capacitance	C _{rss}		-	480	-	
Switching characteristics^(b)						
Turn-on delay time	t _{d(on)}	V _{DD} =15V, I _D =50A, R _G =3.9Ω, V _G =10V, R _L =0.3Ω	-	26	-	nS
Turn-on rise time	t _r		-	201	-	
Turn-off delay time	t _{d(off)}		-	165	-	
Turn-off fall time	t _f		-	141	-	
Total Gate Charge	Q _g	V _{DS} =15V, I _D =50A, V _{GS} =10V	-	211	-	nC
Gate-Source Charge	Q _{gs}		-	45	-	
Gate-Drain Charge	Q _{gd}		-	38	-	
Source-Drain Diode characteristics						
Diode Forward voltage ^(a)	V _{SD}	T _J =25°C, V _{GS} =0V, I _S =50A	-	-	1.3	V
Diode Forward current	I _S	T _C =25°C	-	-	300	A
Body Diode Reverse Recovery Time	t _{rr}	T _J =25°C, I _F =30A, di/dt=100A/us		34		nS
Body Diode Reverse Recovery Charge	Q _{rr}	T _J =25°C, I _F =30A, di/dt=100A/us		26		nC

Notes:

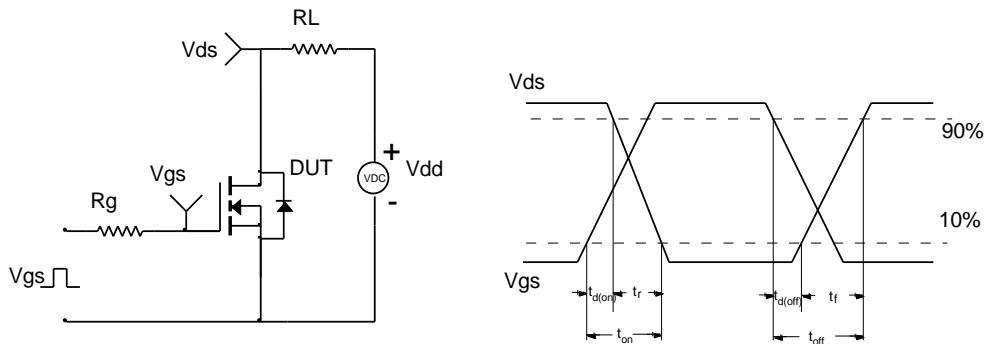
- a) Pulse width ≤ 300 μs, duty cycle ≤ 2%
- b) Guaranteed by design, not subject to production testing

Test Circuit

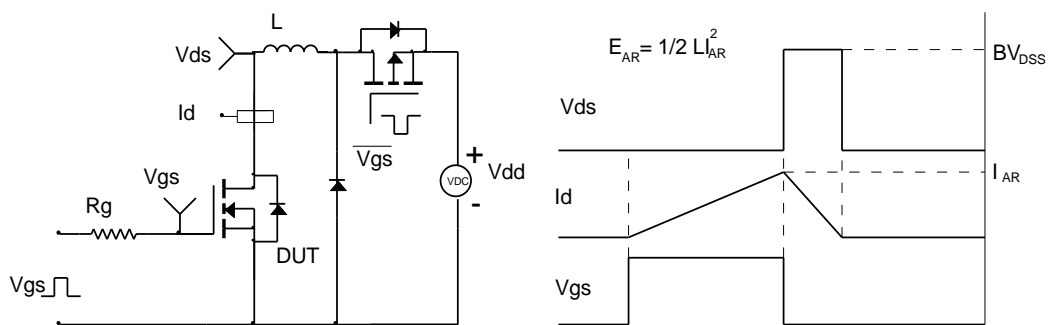
Gate Charge Test Circuit & Waveform



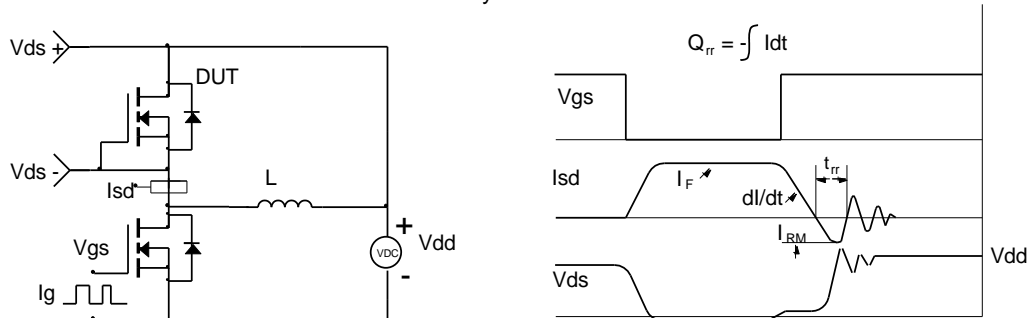
Resistive Switching Test Circuit & Waveforms



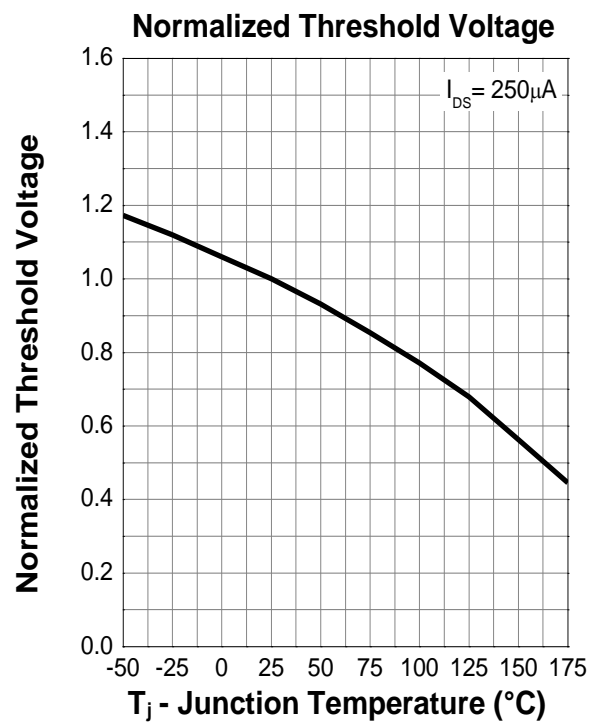
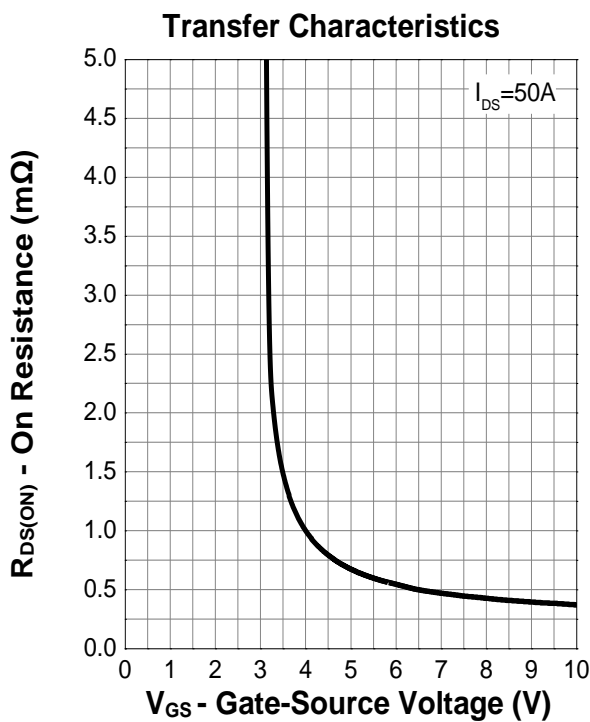
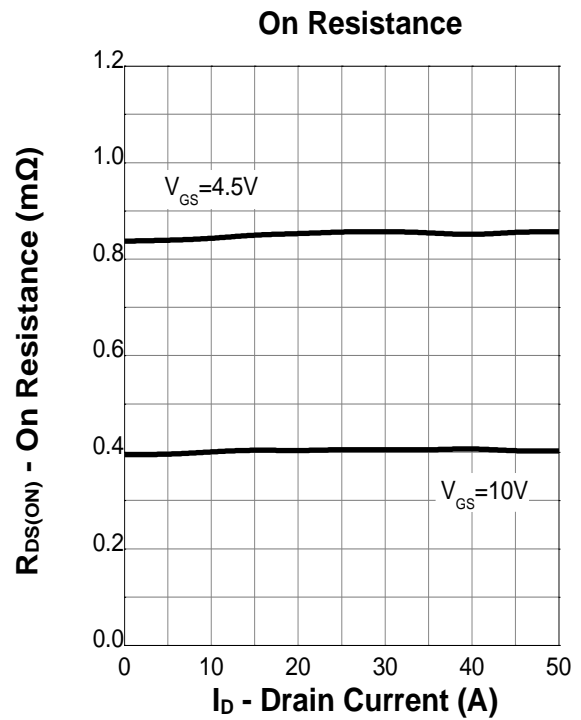
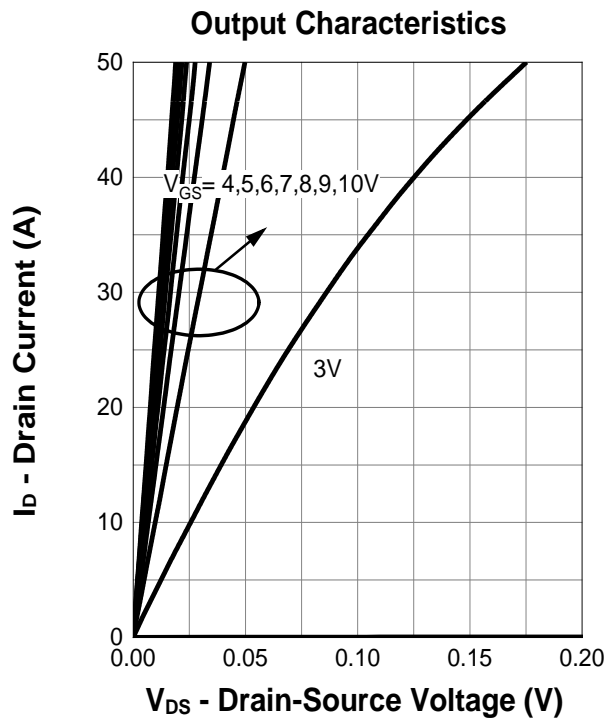
Unclamped Inductive Switching (UIS) Test Circuit & Waveforms



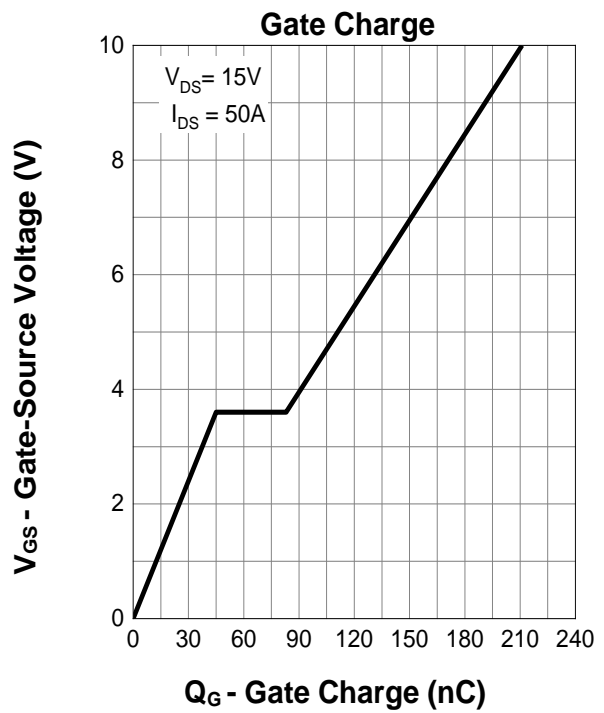
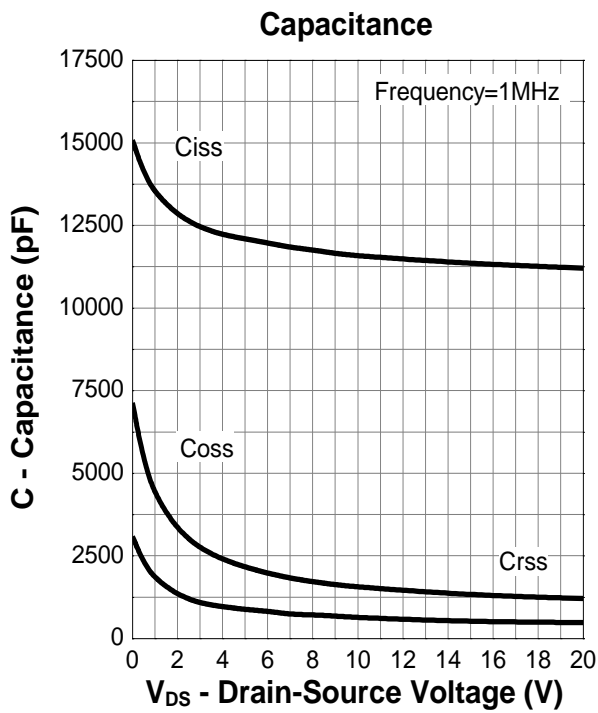
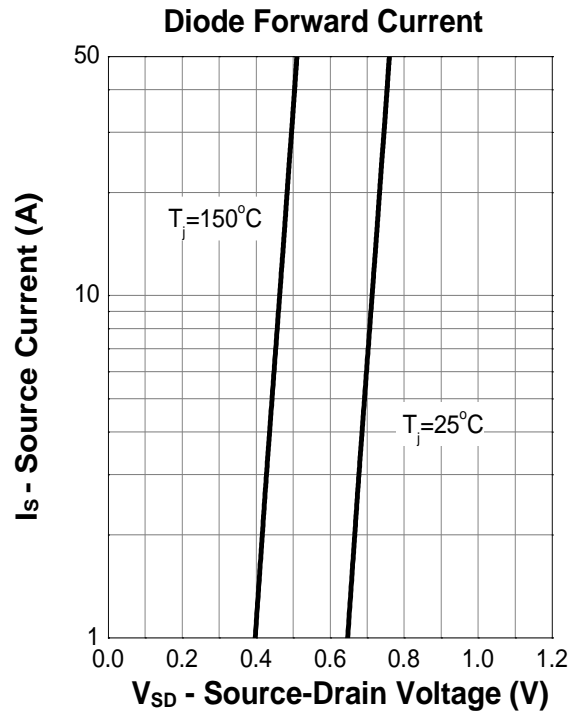
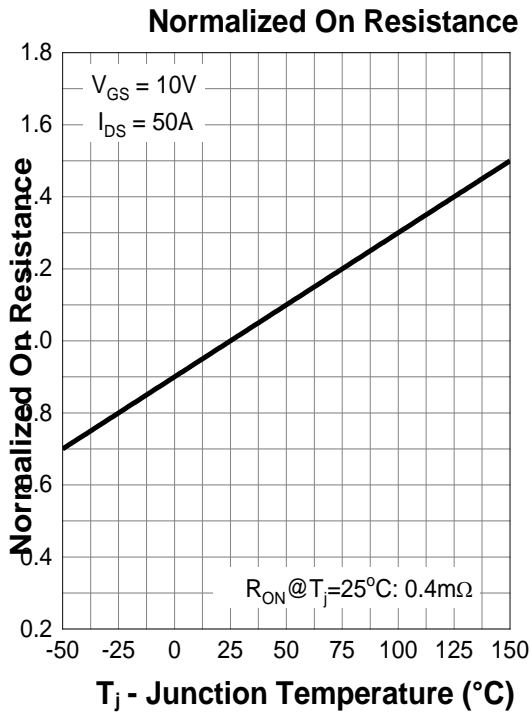
Diode Recovery Test Circuit & Waveforms



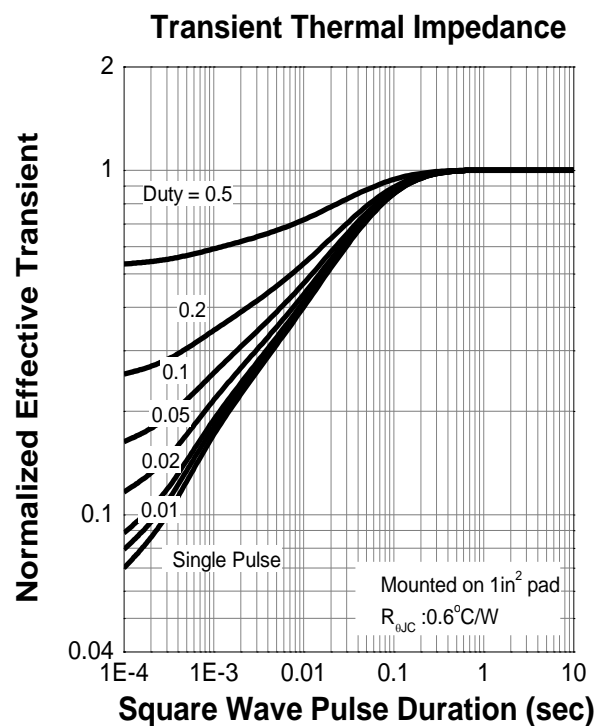
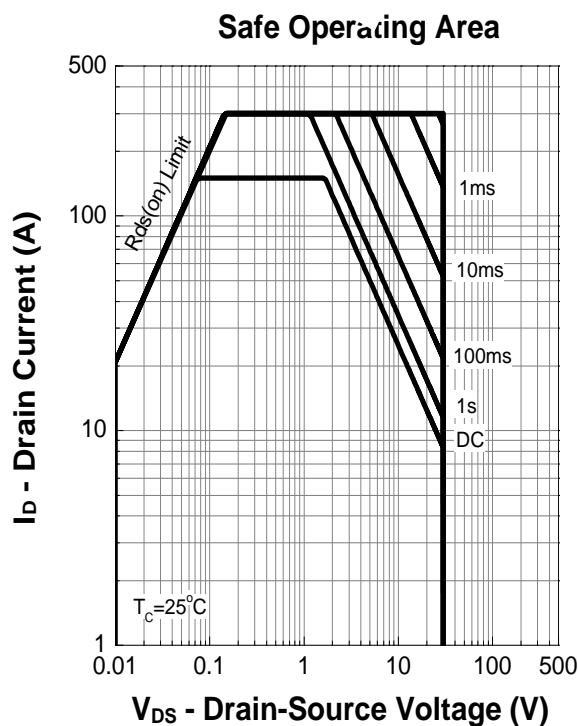
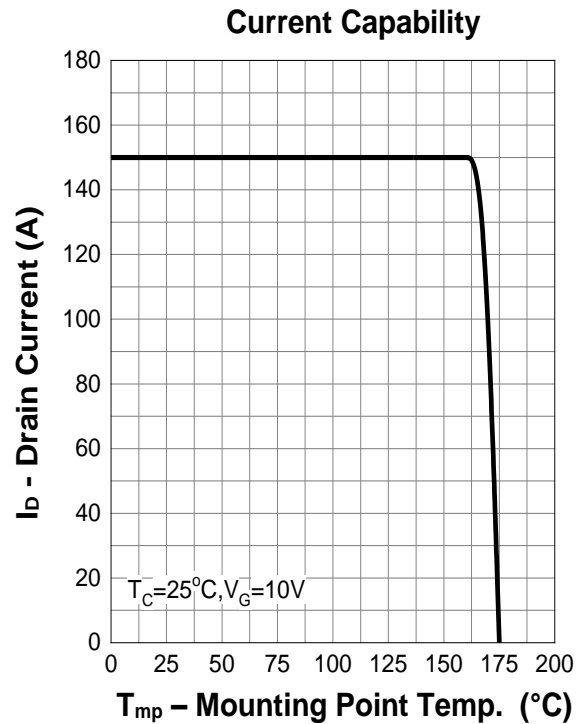
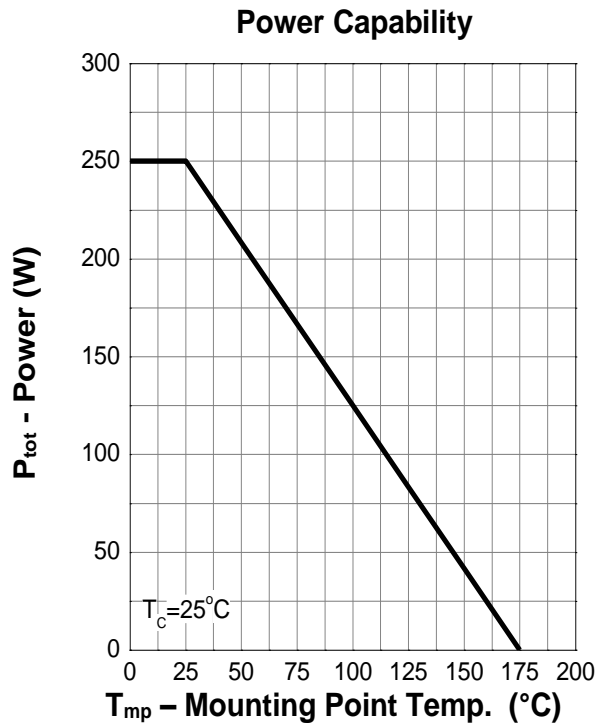
Typical Characteristics



Typical Characteristics

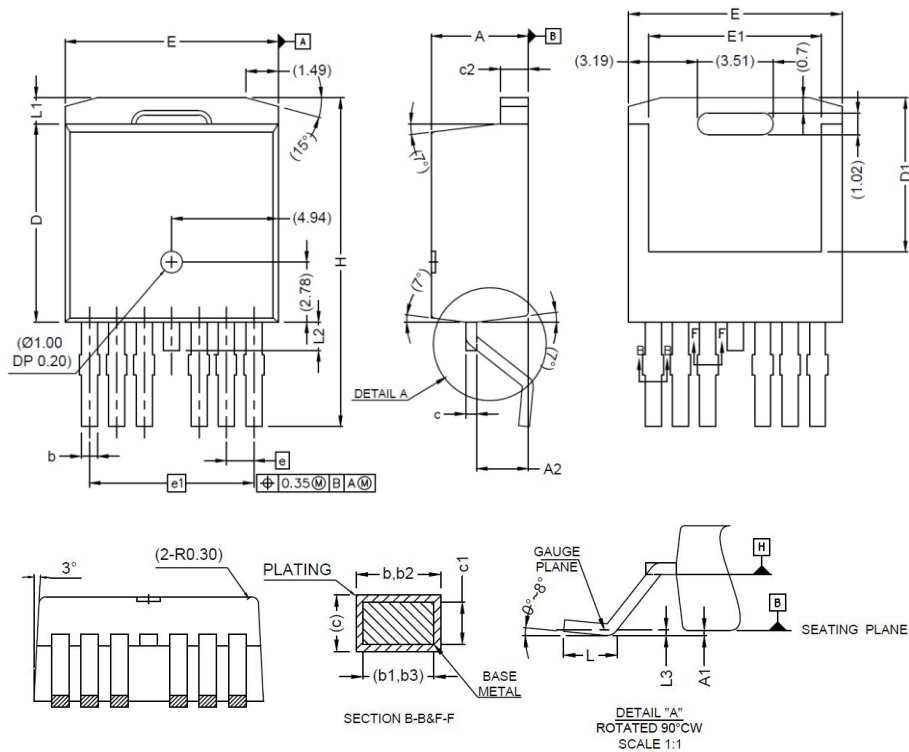


Typical Characteristics



Package Dimensions

TO-263-7



Symbol	Dimensions In Millimeters	
	MIN.	MAX.
A	4.30	4.70
A1	-	0.25
A2	2.20	2.60
b	0.65	0.85
b1	0.65	0.80
b2	0.80	1.00
b3	0.80	0.95
c	0.45	0.60
c1	0.45	0.55
c2	1.25	1.40
D	9.00	9.40
D1	6.86	7.42
E	9.68	10.08
E1	7.70	8.30
e	1.27 BSC	
e1	7.62 BSC	
L	1.78	2.79
L1	-	1.60
L2	-	1.78
L3	0.25 BSD	
H	14.61	15.88

Revision History

Revision	Release	Remark
V1.0	2023/03/07	Initial Release

Disclaimer

The information given in this document describes the independent performance of the product, but similar performance is not guaranteed under other working conditions, and cannot be guaranteed when installed with other products or equipment. To achieve the required performance of the product in actual scenarios, the customer should conduct a complete application test to assess the functionality of the product.

Allpower assumes no responsibility for equipment failures result from using products at values that exceed the ratings, operating conditions, or other parameters listed in the product specifications.

The product described in this specification is not applicable for aerospace or other applications which requires high reliability. Customers using or selling these products for use in medical, life-saving, or life-sustaining applications do so at their own risk and agree to fully indemnify.

Due to product or technical improvements, the information described or contained herein may be changed without prior notice.